

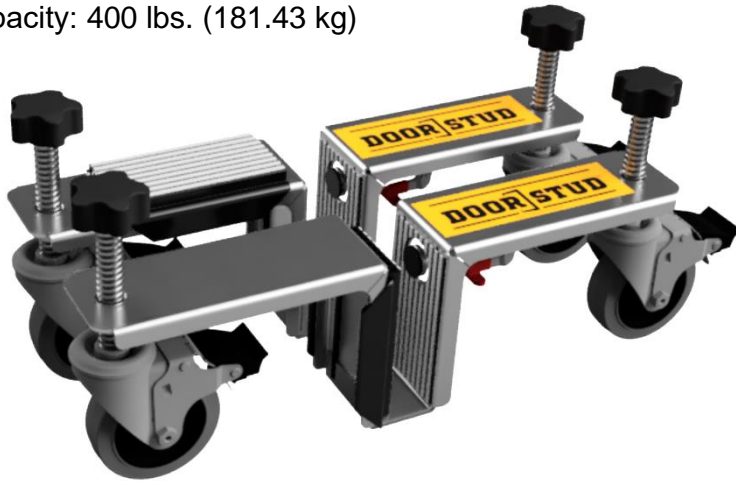
# HEAVY VITALS SHEET



## MANUFACTURER OVERVIEW

Door Stud, LLC, creator of innovative solutions to the trades in the home building and remodeling industry, introduces the Door-Stud® Heavy. The Door-Stud Heavy is a tool that revolutionizes how doors are handled and installed or re-installed by the trades, builders, flooring and painting professionals.

- Safe to use, reduces risk of injury
- 1-3/4" and 2-1/4" pre-hung or slab doors
- Bottom door clearance 1/4" or 6.35mm
- Consistent installation experience time after time
- Reduces labor
- Increases productivity
- Prevents damage – to the wall, door, and installer
- Durable steel constructed design
- Manufactured in the USA
- Capacity: 400 lbs. (181.43 kg)



## MANUFACTURER TERMS

**Suggested Retail:** \$389.99

**Minimum Re-Order:** One Pair

**Prepaid Freight:** \$1,000

**Distributor Discount:** 30%

**Payment Terms:** 1%/10 days, net 30 days

**MAPP:** \$332.99

## MANUFACTURER INFO

**Company:**

Door Stud, LLC

**Website:**

[www.thedoorstud.com](http://www.thedoorstud.com)

**Address:**

4141 31<sup>ST</sup> Ave S  
Fargo, ND 58104

**Ships From:**

North Dakota

## PRODUCT CATEGORIES

1. Door Installation
2. Specialty Tools
3. Material Handling
4. Leveling
5. Transport

**UPC:**



**Weight:**

17.5 lbs.  
(7.93 kg)

**Box Dimensions:**

24.5 x 6.75 x 3.563 in (62.23x  
17.15 x 9.05 cm)

**Part Number:**

DSA-011

**Country of Origin:**

USA

[www.thedoorstud.com](http://www.thedoorstud.com)