

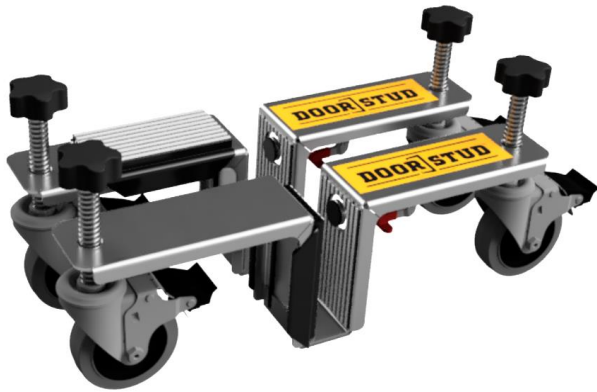
HEAVY VITALS SHEET

DOOR STUD

MANUFACTURER OVERVIEW

Door Stud, LLC, creator of innovative solutions to the trades in the home building and remodeling industry, introduces the Door-Stud® Heavy. The Door-Stud Heavy is a tool that revolutionizes how doors are handled and installed or re-installed by the trades, builders, flooring and painting professionals.

- Safe to use, reduces risk of injury
- 1-3/4" and 2-1/4" pre-hung or slab doors
- Bottom door clearance 1/4" or 6.35mm
- Consistent and quality install experience time after time
- Reduces labor
- Increases productivity
- Prevents damage – to the wall, door, and installer
- Durable steel constructed design
- Manufactured in the USA
- Capacity: 400 lbs (181.43 kg)



MANUFACTURER TERMS

Suggested Retail: \$425.00

Minimum Re-Order: One Pair

Prepaid Freight: \$1,000

Distributor Discount: 30%

Payment Terms: 1%/10 days, net 30 days
MAPP: \$399.99

MANUFACTURER INFO

Company:
Door Stud, LLC

Website:
www.thedoorstud.com

Address:
4141 31st Ave S
 Fargo, ND 58104

Ships From:
North Dakota

PRODUCT CATEGORIES

1. Door Installation
2. Specialty Tools
3. Material Handling
4. Leveling
5. Transport

UPC:



Weight:
17.5 lbs
(7.93 kg)

Box Dimensions:
24.5 x 6.75 x 3.563 in
(62.23x 17.15 x 9.05 cm)

Part Number:
DSA-011

Country of Origin:
USA

www.thedoorstud.com