

DOOR]STUD[®]

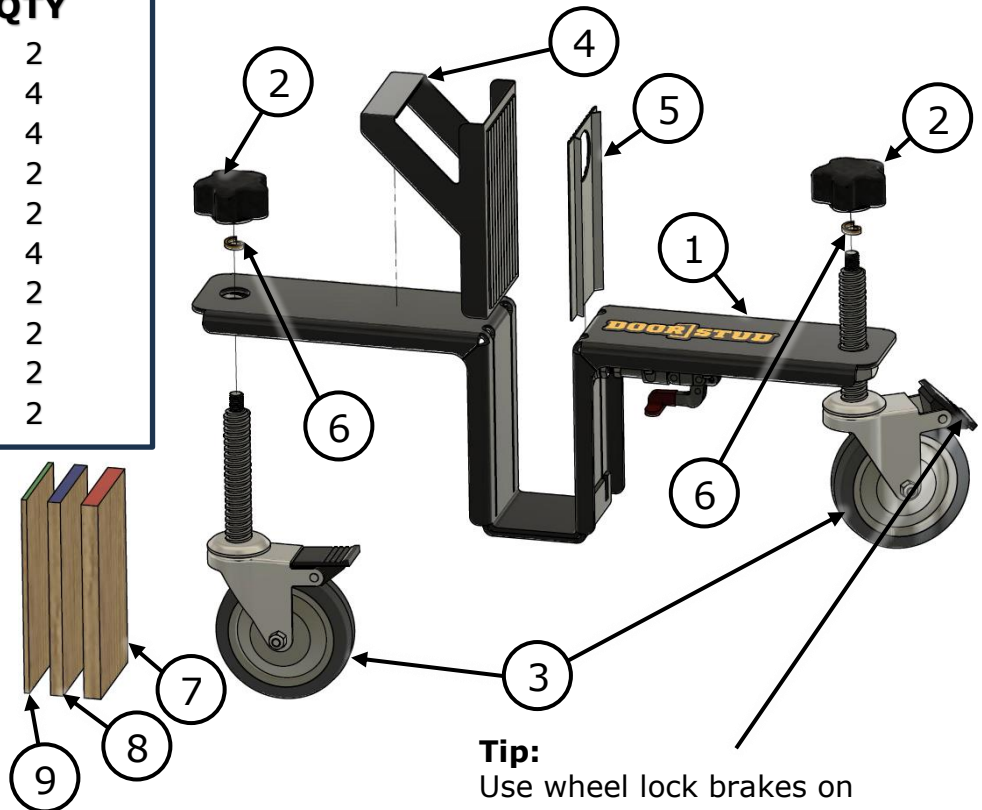
HEAVY



Check out our Videos!

Supplied Components

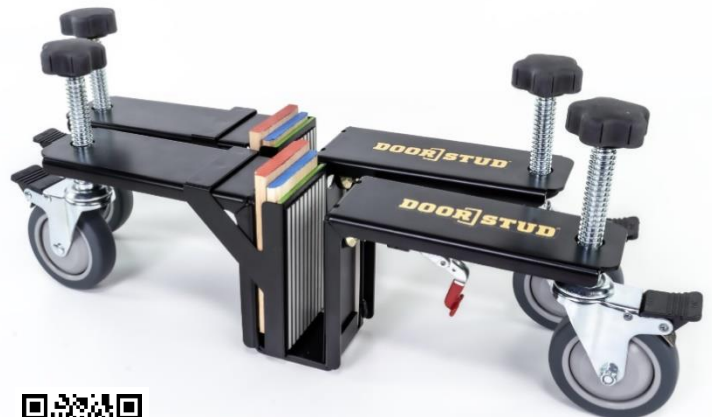
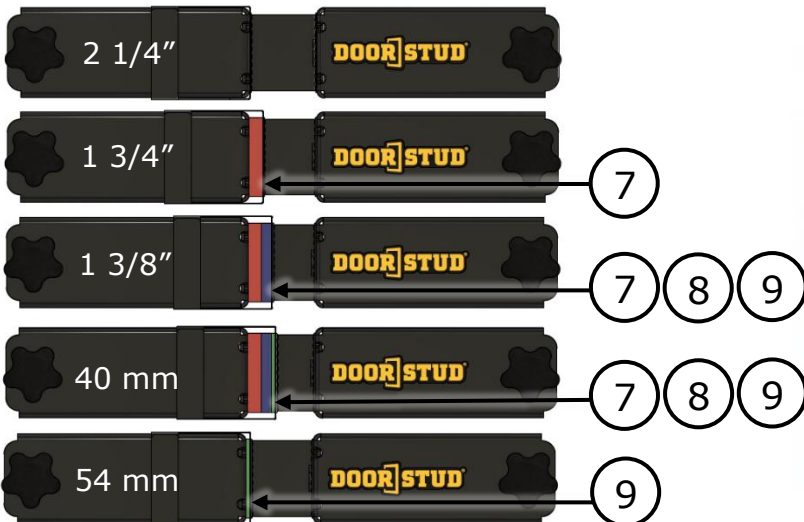
| | QTY |
|---------------------------|-----|
| 1. Stud Flange Assembly | 2 |
| 2. Adjustment Handles | 4 |
| 3. Caster Wheels | 4 |
| 4. Magnetic Spacer Clip | 2 |
| 5. Protection Pad | 2 |
| 6. Lock Washer | 4 |
| 7. 1/2" Spacer Block | 2 |
| 8. 3/8" Spacer Block | 2 |
| 9. Metric Spacer Block | 2 |
| 10. Custom Spacer Sticker | 2 |



Tip:
Use wheel lock brakes on Casters to tighten Adjustment Handles to with Lock Washers

HEAVY SERIES

| | |
|----------|------------------------|
| 2-1/4 IN | NO SPACER |
| 1-3/4 IN | [Red Spacer] |
| 1-3/8 IN | [Red and Blue Spacers] |
| 54MM | [Green Spacer] |
| 40MM | [Red and Blue Spacers] |



Scan for Custom Spacer Instructions and sticker placement!