

DOOR]STUD[®]

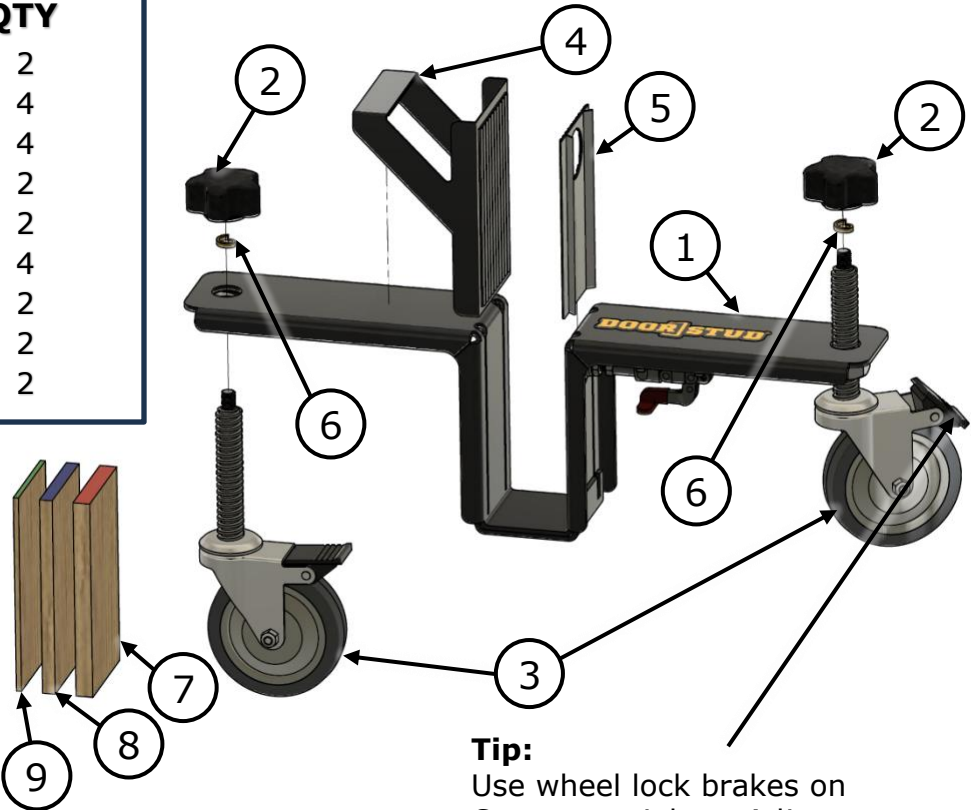
HEAVY



Check out our Videos!

Supplied Components

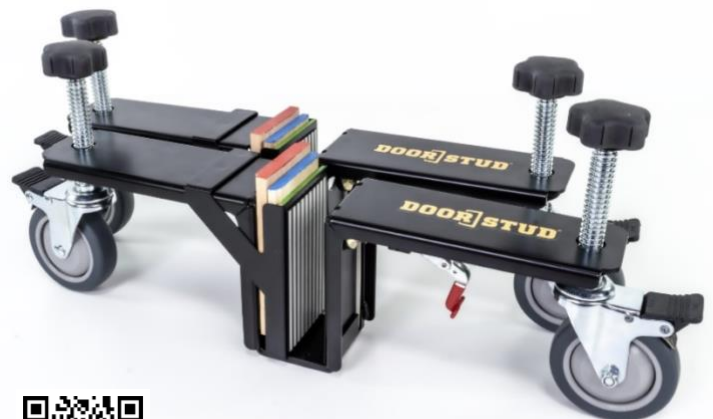
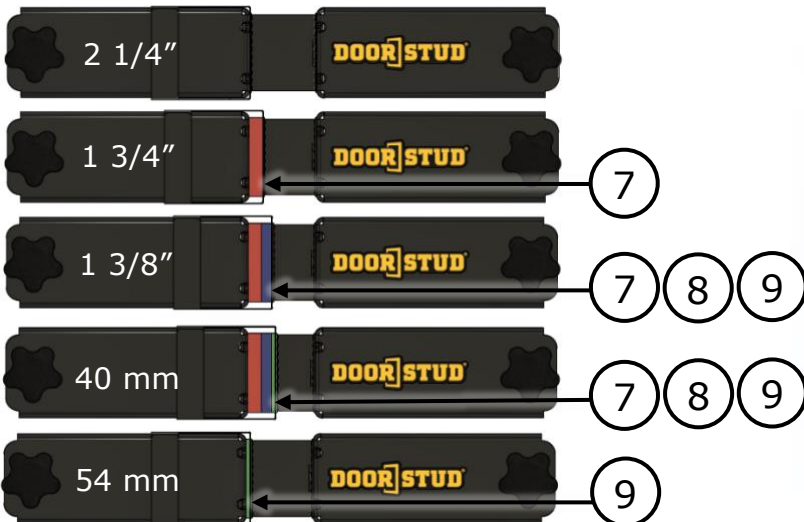
	QTY
1. Stud Flange Assembly	2
2. Adjustment Handles	4
3. Caster Wheels	4
4. Magnetic Spacer Clip	2
5. Protection Pad	2
6. Lock Washer	4
7. 1/2" Spacer Block	2
8. 3/8" Spacer Block	2
9. Metric Spacer Block	2



Tip:
Use wheel lock brakes on Casters to tighten Adjustment Handles to with Lock Washers

HEAVY SERIES

2-1/4 IN	NO SPACER
1-3/4 IN	[Red Spacer]
1-3/8 IN	[Red and Blue Spacers]
54MM	[Green Spacer]
40MM	[Red and Blue Spacers]



Scan for Custom Spacer Instructions!