

DOOR]STUD[®]

Pro-Series

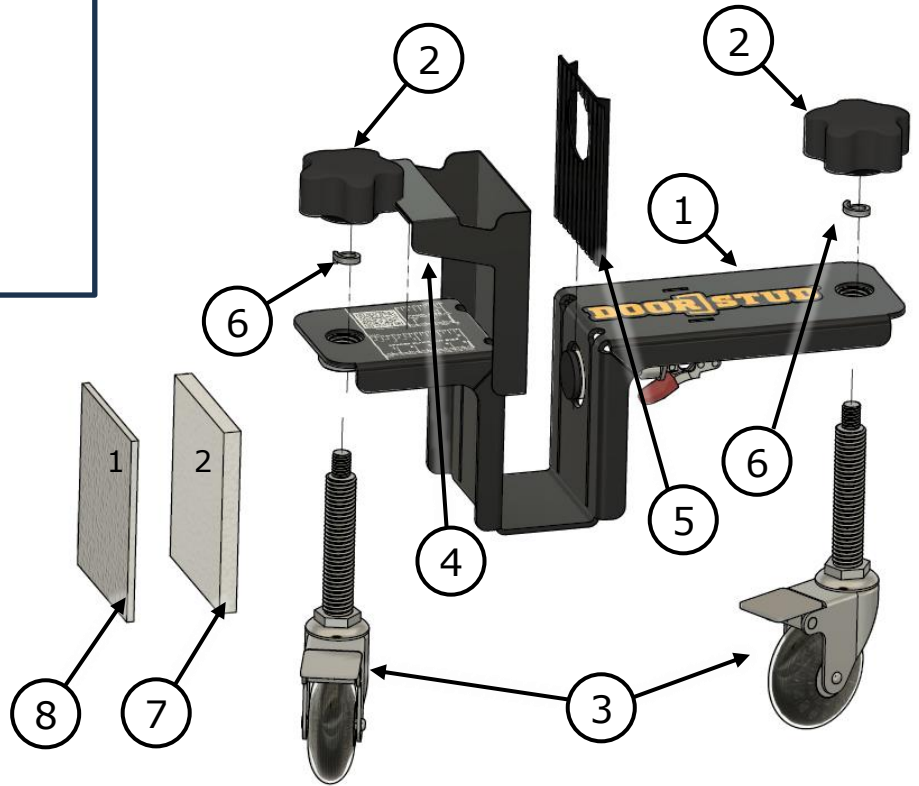


Check out our Videos!

Supplied Components

QTY

- | | |
|----------------------------|---|
| 1. Stud Flange Assembly | 2 |
| 2. Adjustment Handles | 4 |
| 3. Caster Wheels | 4 |
| 4. Magnetic Spacer Clip | 2 |
| 5. Protection Pad | 2 |
| 6. Lock Washer | 4 |
| 7. 3/8" Spacer Block (2) | 2 |
| 8. Metric Spacer Block (1) | 2 |

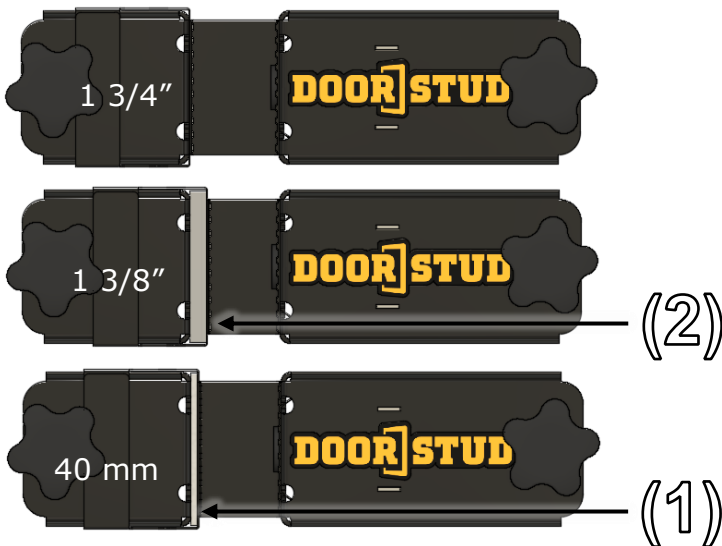


PRO SERIES

1-3/4 IN NO SPACER

1-3/8 IN (2)

40MM (1)



Scan for Custom Spacer Instructions!