

DOOR]STUD[®]

Pro-Series

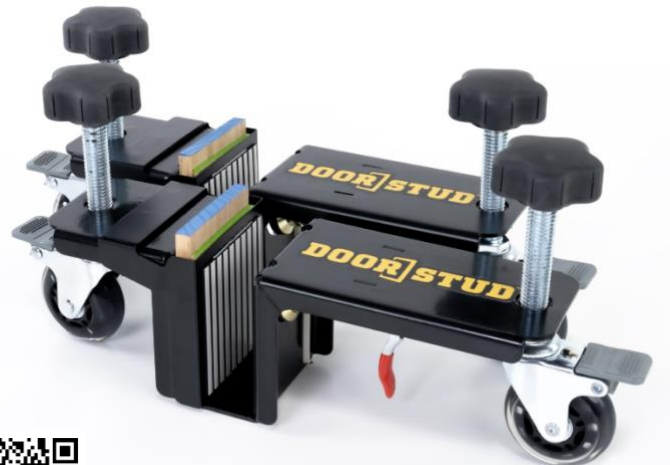
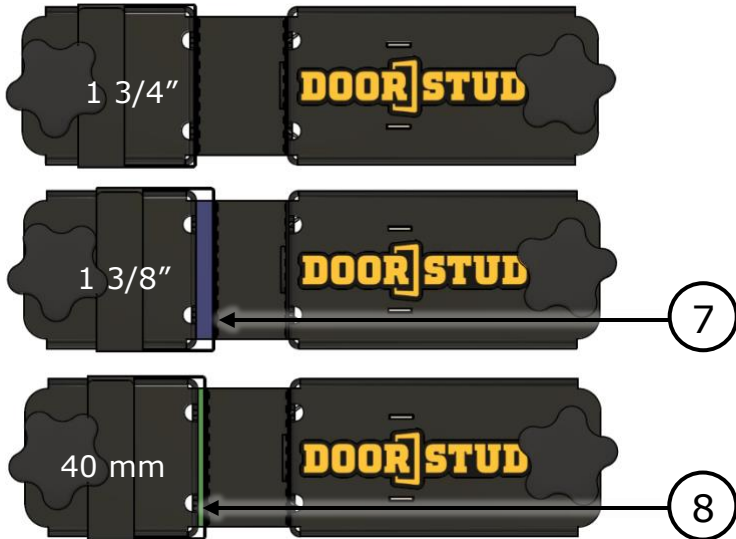
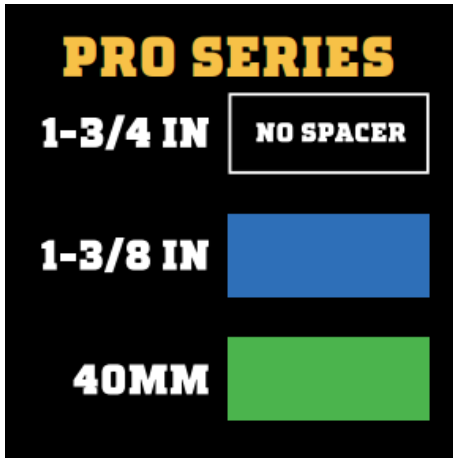
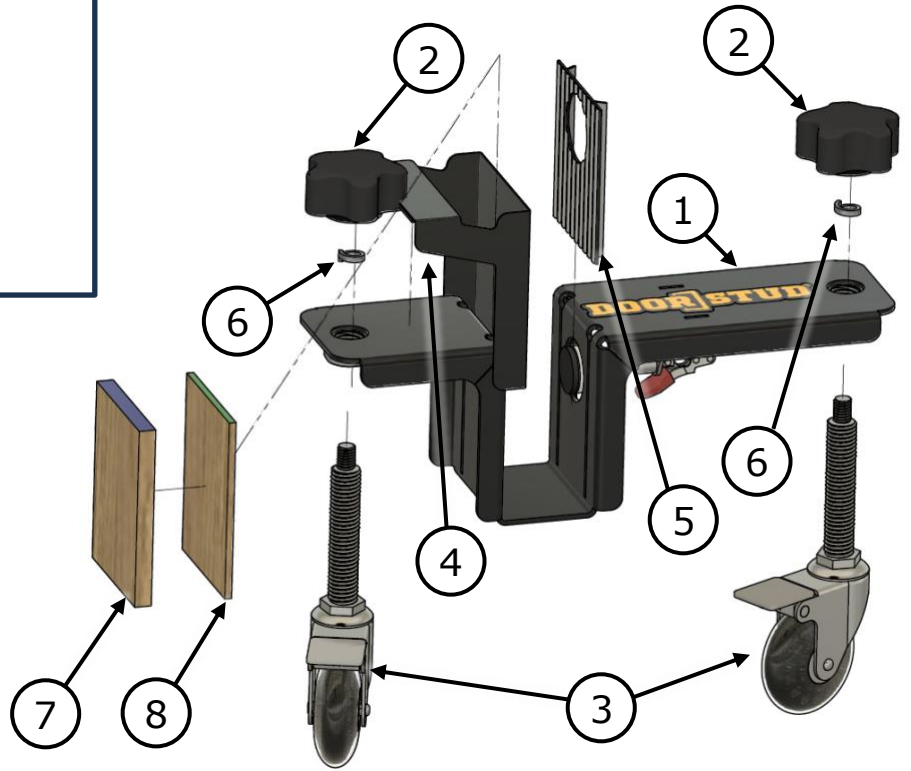


Check out our Videos!

Supplied Components

QTY

- | | |
|-------------------------|---|
| 1. Stud Flange Assembly | 2 |
| 2. Adjustment Handles | 4 |
| 3. Caster Wheels | 4 |
| 4. Magnetic Spacer Clip | 2 |
| 5. Protection Pad | 2 |
| 6. Lock Washer | 4 |
| 7. 3/8" Spacer Block | 2 |
| 8. Metric Spacer Block | 2 |



Scan for Custom Spacer Instructions!